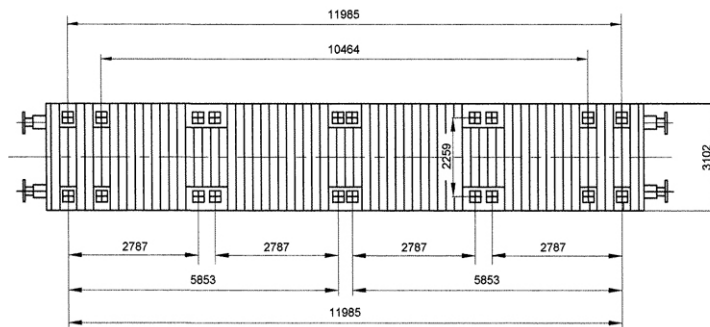
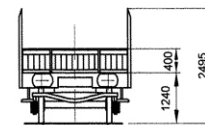
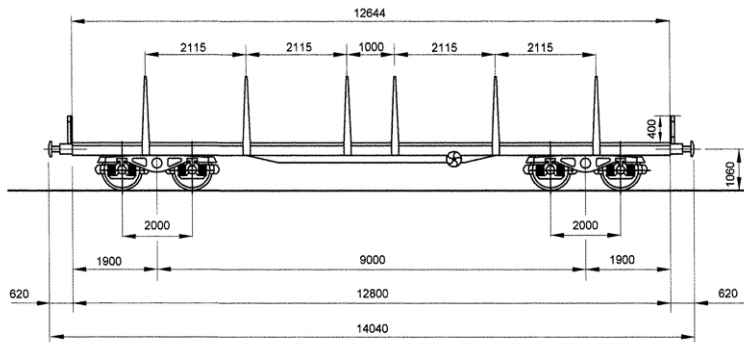


Design Sgs 81 94 454 0 001/120

Series

Sgs Plataform with foldable stanchions



Load Limits

	A	B1	B2	C
S	43,5	49,7	51,5	59,5
120	00,0			

Technical Data :

Max. Load 59.500 Kg
 Floor Space 35m²

Obs.:

- When in movement, end walls must be up, thus the load permits .
- Retain Devices for containers

In the following variations 1x30"; 4x10"; 1x30"; 2x20" and 1x40"

* Only in wagons with screw handbrake

Other Technical Data :

Builder	Consórcio
Construction Year	1972
Max.Speed .	100km/h
Medium Tare	20.500kg
Wheels	ø920mm
Axle Bearing	Roller Bearing
Axle Journal	130x217mm
Freio Ch GP	23-48t
Max. Hand Brake	5 - 21t*
Brake Changeover	42t
Cylinders	1x16"
Brake-rod adjuster	DRV
Triple Valve	C3W IV -GP
Unloaded - loaded box	LAB3-R
Unloaded - loaded valve	VTA